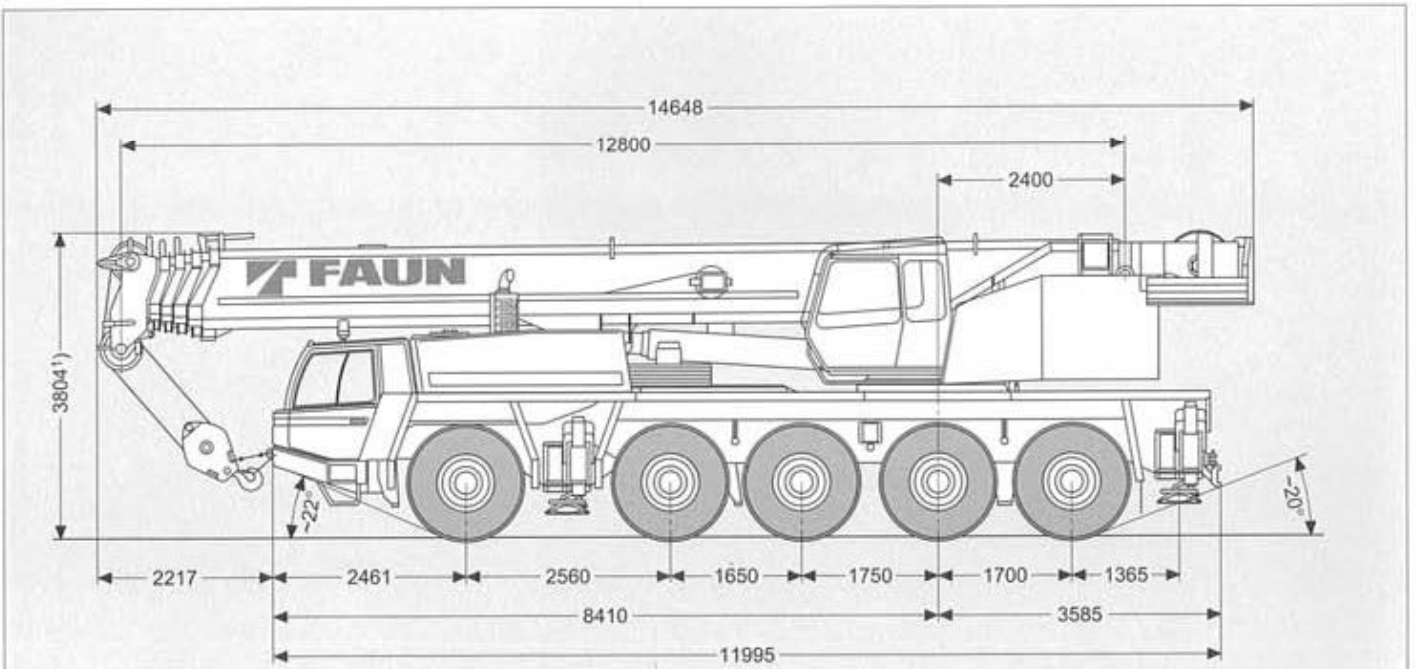
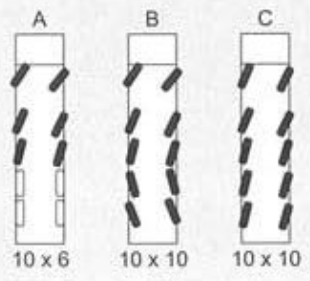
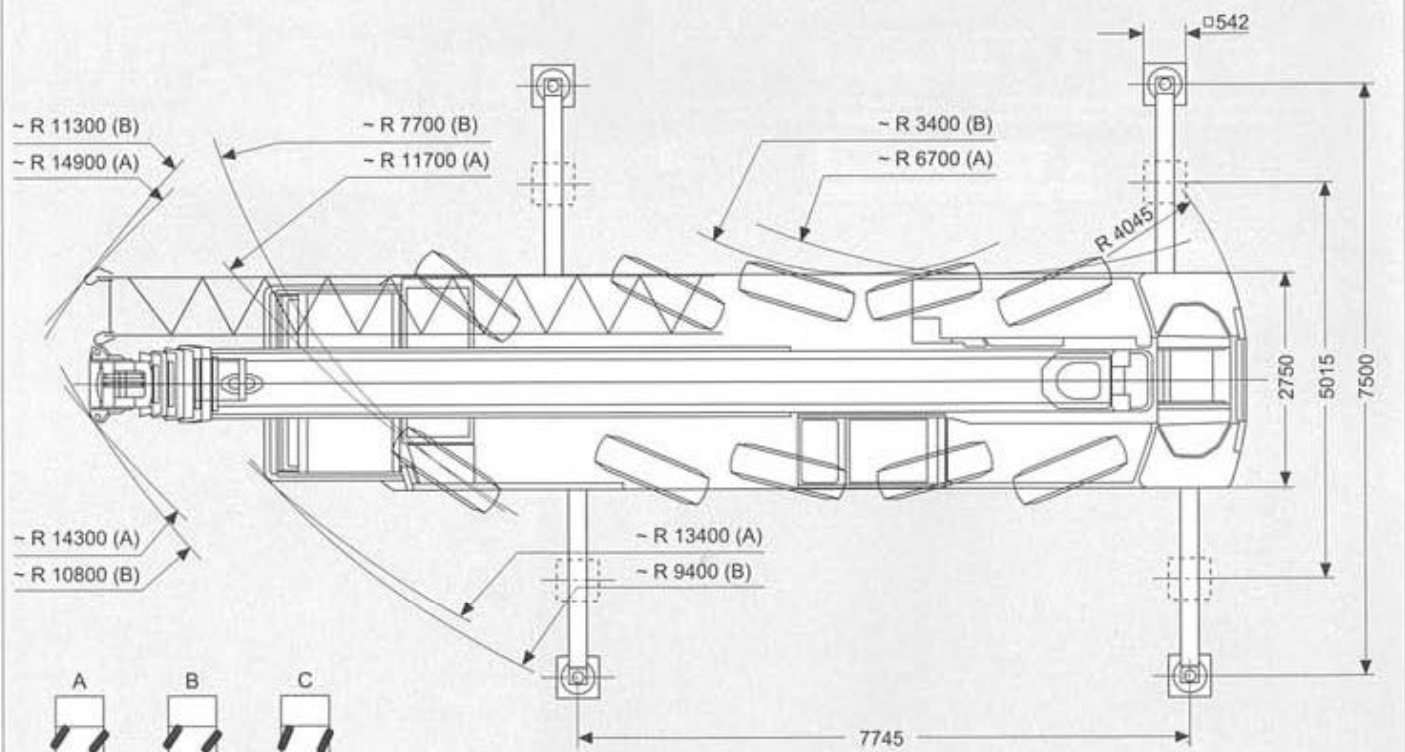


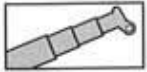
Maße (mm)
 Dimensions (mm)
 Dimensiones (mm)



1) - 126 mm / + 148 mm



Tragfähigkeiten
Lifting capacities
Capacités de levage
Capacidades de elevación

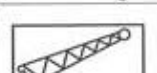
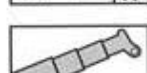


8.2t

DIN / ISO

m	12.8 m*	12.8 m	17.5 m	22.3 m	27.1 m	31.9 m	36.7 m	41.4 m	46.2 m	51.0 m
	3.0	100.0**	90.0	80.0						
3.5	90.5	80.8	78.8	60.0						
4.0	79.4	74.5	73.6	60.0	43.0					
4.5	70.6	69.0	68.1	60.0	43.0					
5.0	63.4	63.4	62.0	60.0	43.0	33.0				
6.0	52.4	52.4	51.1	50.2	43.0	33.0	20.0			
7.0	43.0	43.0	41.1	41.4	40.4	33.0	20.0	20.0		
8.0	33.1	33.1	31.4	31.7	30.8	31.1	20.0	20.0	15.0	13.0
9.0	26.5	26.5	25.0	25.2	24.4	24.6	20.0	20.0	15.0	13.0
10.0	21.8	21.8	20.3	20.5	20.0	20.0	20.0	20.0	15.0	13.0
11.0			16.9	20.0	20.0	20.0	17.6	18.4	15.0	13.0
12.0			14.2	17.2	17.6	17.9	14.9	16.2	15.0	13.0
14.0			10.0	13.0	13.4	13.6	10.6	14.0	13.2	12.5
16.0				9.9	10.3	10.5	7.7	10.9	10.1	9.5
18.0				7.7	8.0	8.3	5.6	8.6	7.9	7.3
20.0					6.3	6.6	3.9	6.9	6.2	5.6
22.0					5.0	5.2	2.7	5.5	4.8	4.3
24.0					4.0	4.2	1.7	4.5	3.8	3.2
26.0						3.3	0.9	3.6	2.9	2.4
28.0						2.6		2.9	2.2	1.7
30.0								2.2	1.6	1.1
32.0								1.7	1.1	0.6
34.0								1.2	0.6	
36.0								0.8		
38.0								0.5		
40.0										
42.0										
44.0										
46.0										

I II III IV	0		50	50/100/0	100/0	50/100/0	100	50/100/0	100/50	100
	%	0	0	0	50/0/33	50/50	50/100/67	100	50/100/100	100/100
	0	0	0	0/0/33	0/50	50/0/67	25	100/50/100	75/100	100
	0	0	0	0/0/33	0/50	50/0/67	25	100/50/100	75/100	100



8.2t

DIN / ISO

m	46.2 m + 9.5 m			51.0 m + 9.5 m			51.0 m + 16.2 m			51.0 m + 24.1 m			51.0 m + 30.1 m		
	5°	20°	40°	5°	20°	40°	5°	20°	40°	5°	20°	40°	5°	20°	40°
10.0	9.00			7.00											
11.0	9.00			7.00											
12.0	9.00	7.50		7.00	6.50										
14.0	9.00	7.50	5.20	7.00	6.50		5.00								
16.0	8.75	7.20	5.20	7.00	6.50	5.30	5.00	4.20							
18.0	7.50	6.75	5.00	7.00	6.50	5.15	5.00	4.20					2.30		
20.0	5.75	6.40	4.85	5.95	6.35	4.95	4.90	4.10	3.10	3.30			2.30		
22.0	4.40	5.00	4.70	4.60	5.20	4.80	4.80	4.00	3.00	3.15	2.55		2.30		
24.0	3.30	3.80	4.35	3.50	4.05	4.60	4.35	3.80	2.90	3.05	2.40		2.20	1.85	
26.0	2.40	2.85	3.30	2.60	3.05	3.55	3.40	3.60	2.80	2.90	2.30	1.80	2.10	1.75	
28.0	1.65	2.05	2.45	1.85	2.25	2.70	2.65	3.35	2.70	2.80	2.15	1.70	2.00	1.65	
30.0	1.00	1.35	1.70	1.20	1.60	1.95	2.00	2.60	2.65	2.50	2.05	1.65	1.90	1.55	1.30
32.0		0.75	1.05	0.65	1.00	1.30	1.45	2.00	2.55	1.95	1.95	1.60	1.75	1.45	1.25
34.0			0.50		0.50	0.75	0.95	1.45	2.00	1.45	1.85	1.55	1.65	1.35	1.20
36.0							0.50	0.95	1.45	1.00	1.70	1.50	1.25	1.30	1.10
38.0								0.55	0.95	0.60	1.25	1.45	0.85	1.20	1.05
40.0									0.55		0.85	1.40	0.50	1.15	1.00
42.0											0.50	1.05		0.90	1.00
44.0												0.70		0.55	0.95
46.0															0.90
48.0															0.55
50.0															
52.0															
54.0															
56.0															
58.0															
60.0															

I II III IV	100			100			100			100			100		
	%	100	100	75	100	100	100	100	100	100	100	100	100	100	100
	100	100	75	100	100	100	100	100	100	100	100	100	100	100	100